



New Construction

LBP6

LED Downlight 800-1500 Lumens
120-277V AC
0-10V/ Triac/ ELV Dimming
800/1100 IC Rated
1500 Non-IC Rated



Aperture: Nominal 6"

Ceiling Cutout: 6^{7/8}"

Maximum Ceiling Thickness: 1^{1/2}"

For conversion to millimeters,
multiply inches by 25.4

Not to Scale

APPLICATIONS:

LiteBox Plus LED modules are designed for use in new construction Prescolite LBP6 recessed housings. Three lumen output levels that are comparable to 26 and 32 watt CFL, while consuming only 10-20 watts respectively. Suitable for use with continuous room side ambient temperature up to 25°C. Flicker-free dimming to 1% with most standard dimmers. (See Dimming Notes).

HOUSING:

Galvanized steel housing with full wraparound plaster frame. Housing adjusts from 1/2" to 1- 1/2" thick ceiling. Notched mounting frame for easy alignment. Housing includes universal J-box with snap-out sides, 1/2" and 3/4" knock outs for rigid or BX fittings. Removable housing can for field inspection of wiring. Installation uses Pro-Nail™ bar hangers with integral nail compatible with joist systems and materials. Joist alignment tab for rapid and consistent positioning and convenient nail removal features for easy re-positioning. Integral snap-on T-bar grip-lock feature and rigid 24" telescoping bar hanger design. Auxiliary mounting points for additional fasteners or wire suspension to structure. Bar hangers are captive with positive extension stop and locking feature to fix position, and can be reoriented 90° to housing.

LIGHT ENGINE:

High efficacy LED light engine, 2700K to 4000K, 90 CRI, integrated with durable aluminum heat sink for excellent thermal management. System designed for optimal life and lumen maintenance (60,000 hours at 70% lumen maintenance per TM-21).

LENS/REFLECTOR:

All LiteBox Plus LED modules are provided standard with a diffused optical grade acrylic lens for uniform illumination and superior glare control. Reflector options include clear anodized and powder coat finishes which create aesthetic ceiling appearance and visually comfortable 55° cutoff.

LED DRIVER/DIMMING:

Integral high efficiency LED driver 120-277V 50/60Hz with >0.9 power factor. The driver is compatible with 120 through 277 input voltage, as well as either 0-10V low voltage control or 120V Triac control. Either option is selectable at the J-Box. Dimming from 100% to 1% with select dimmers. (See Dimming Notes for recommended dimmers.) Output over-voltage, over-current, and short circuit protection. Life expectancy of 60,000 hours minimum at recommended ambient temperatures.

INSTALLATION:

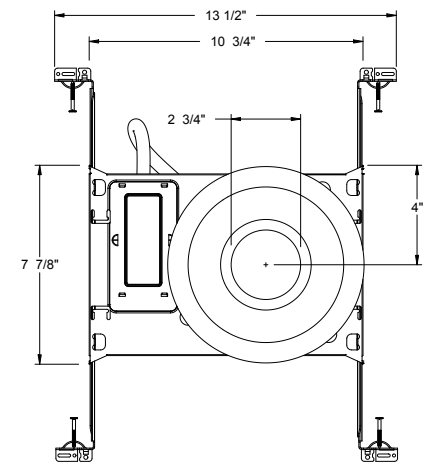
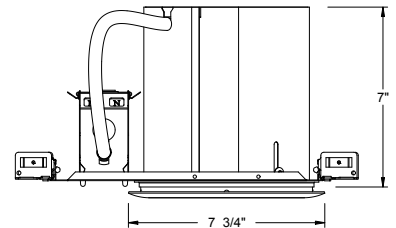
For New Construction: Use with Prescolite LBP6 LED housings. Quick connector mates directly to housing connector without a screw base adapter for California Title 24 compliance. Rapid installation of trim with driver quick connect system, and standard retention springs.

CERTIFICATIONS:

CSA certified to US and Canadian safety standards. Suitable for wet locations. Approved for through wiring. The 8L and 11L output options are IC rated. The 15L option is non-IC rated. ENERGY STAR qualified and can be used to comply with California Title 24 non-residential usage.

WARRANTY:

5 year warranty
See www.prescolite.com for details.



See page 3 for trim lineart.

CATALOG NUMBER:

EXAMPLE: LBP6-6LBP15L30KWH

HOUSING	TRIM	OUTPUT	LED COLOR	CRI	TRIM COLOR	TRIM OPTIONS	ACCESSORIES
<input type="checkbox"/> LBP6 6" LED Housing	<input type="checkbox"/> 6LBP 6" LED Downlight 120-277V	<input type="checkbox"/> 8L 800 Lumen <input type="checkbox"/> 11L 1100 Lumen <input type="checkbox"/> 15L² 1500 Lumen	<input type="checkbox"/> 27K 2700 Kelvin <input type="checkbox"/> 30K 3000 Kelvin <input type="checkbox"/> 35K 3500 Kelvin <input type="checkbox"/> 40K 4000 Kelvin	<input type="checkbox"/> Blank 90+ CRI	<input type="checkbox"/> WH White <input type="checkbox"/> AZ Clear Anodized <input type="checkbox"/> BL Black <input type="checkbox"/> Z Zet	<input type="checkbox"/> Blank Downlight <input type="checkbox"/> WW³ Wall Wash	<input type="checkbox"/> UFO-LED25¹ Dual-Lite 25 Watt Recessed Mounted Battery Back Up

NOTES:
1 See www.dual-lite.com/products/ufoled25 for details.
2 15L option is Non-IC rated.
3 WW kicker color will be white regardless of trim color

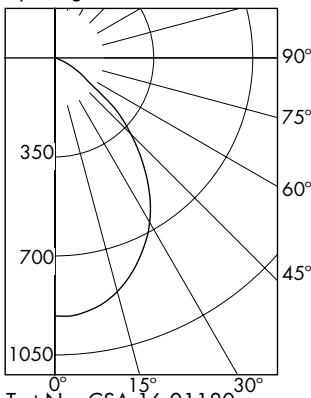
PHOTOMETRIC DATA **Litebox Plus LED - 6" LED Downlight and Wall Wash**

ELECTRICAL DATA	6LBP15L	6LBP15LWW	6LBP11L	6LBP11LWW	6LBP8L	6LBP8LWW
INPUT VOLTAGE	120-277V					
INPUT FREQUENCY	50/60Hz					
INPUT CURRENT 120V	0.17A	0.17A	0.10A	0.10A	0.09A	0.09A
INPUT CURRENT 277V	0.07A	0.07A	0.04A	0.04A	0.04A	0.04A
INPUT POWER	20.2W	20.2W	12.0W	12.0W	10.4W	10.4W
CONSTANT CURRENT OUTPUT	500mA	500mA	300mA	300mA	250mA	250mA
DELIVERED LUMENS	1539	1336	1050	936	808	712
EFFICACY (LUMENS PER WATT)	76.2	66.1	87.5	78.0	77.7	68.5
POWER FACTOR	>0.90					
THD	<20%					
EMI FILTERING	FCC 47CFR Part 15, Class B (120V) Class A (277V)					
OPERATING TEMPERATURE	-30°C to 25°C		-30°C to 35°C		-30°C to 35°C	
DIMMING	0-10V & TRIAC (See Dimming Notes for more information)					

Over-voltage, over-current, short circuit protected

LBP6 6LBP15L30KWH

LED Light Engine: 3000K 92 CRI
System Wattage: 20.2
Fixture delivered lumens: 1539
Fixture Efficacy: 76.2
Spacing Criteria: 1.1



DEG	CANDELA
0	912
5	911
15	855
25	742
35	584
45	381
55	144
65	53
75	12
85	4
90	0

Single Unit, Initial Footcandles, 30" Work Plane						Ceiling to Floor Height (ft)	Multiple Units, Initial Footcandles, 30" Work Plane				
Nadir	10°	20°	30°	FC	Dia (ft)		Spacing is Maximum Over Work Plane, SMH= 1.1				
FC	FC	Dia (ft)	FC	Dia (ft)	FC	Dia (ft)	Fixture Spacing (ft)	RCR 2	RCR 5	RCR 7	
74	67	1	52	3	33	4	6	4.0	95	72	60
30	27	2	21	4	13	6	8	6.0	39	29	24
14	13	3	10	6	6	9	10.5	9.0	18	14	12

ZONAL LUMEN SUMMARY

ZONE	LUMENS	%LUMINAIRE
0-30	668	43.4%
0-40	1031	67.0%
0-60	1467	95.3%
0-90	1539	100.0%

COEFFICIENTS OF UTILIZATION

Room Cavity Ratio	% Effective Ceiling Cavity Reflectance											
	80%			70%			50%			30%		
	% 20% Effective Floor Cavity Reflectance											
% Wall Reflectance												
	70	50	30	10	70	30	50	30	50	30	50	30
1	112	108	105	102	109	103	102	100	98	96		
3	97	89	82	77	95	81	85	80	82	78		
5	84	74	66	61	82	66	71	65	69	63		
7	74	62	55	49	72	54	60	53	58	53		
9	65	53	46	41	64	46	51	45	50	45		

Test No. CSA 16.01180

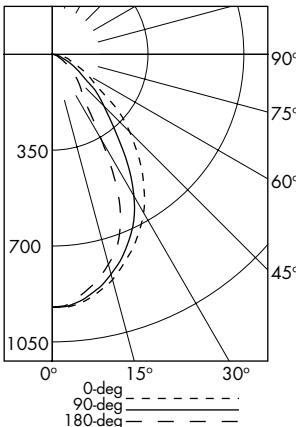
Tested at 25°C Ambient in accordance to IESNA LM-79-2008

LBP6 6LBP15L30KWH

Test No. CSA 16.01180

LBP6 6LBP15L30KWHWW

LED Light Engine: 3000K, 92 CRI
System Wattage: 20.2W
Fixture Delivered Lumens: 1336
Fixture Efficacy: 66.1



DEG	0	90	180
0	923	923	923
5	920	914	903
15	852	831	794
25	736	696	575
35	583	475	209
45	401	268	129
55	194	134	69
65	105	66	28
75	59	29	18
85	6	3	6
90	0	0	0

LUMINANCE DATA IN CANDELA/SQ. METER

Angle in Vertical	0 DEG	90 DEG	180 DEG
45°	31077	20770	9997
55°	18535	12803	6592
65°	13615	8558	3631
75°	12492	6140	3811
85°	3773	1886	3773



3' DISTANCE FIXTURE MOUNTED OUT FROM WALLS FOOTCANDLE DISTRIBUTION ON WALL SURFACE

DISTANCE FROM CEILING IN FEET	1	2	3	4	5	6	7	8	9		
1	6	5	3	2	1	10	9	10	8	7	8
2	12	10	6	3	1	18	18	18	15	12	15
3	16	14	9	4	2	25	26	25	20	19	20
4	13	12	9	5	3	26	25	26	20	19	20
5	10	9	7	5	3	23	23	22	17	17	17
6	7	7	6	4	3	19	19	19	14	14	14
7	5	5	4	4	3	15	15	15	12	12	12
8	4	4	3	3	2	13	13	12	10	10	10
9	3	3	3	2	2	10	10	10	8	8	8

LBP6 6LBP15L30KWHWW

Test No. 16.01062

Test No. 16.01062

Tested at 25°C Ambient in accordance to IESNA LM-79-2008

NOTES

Refer to www.prescolite.com for additional photometric tests (IES Files).



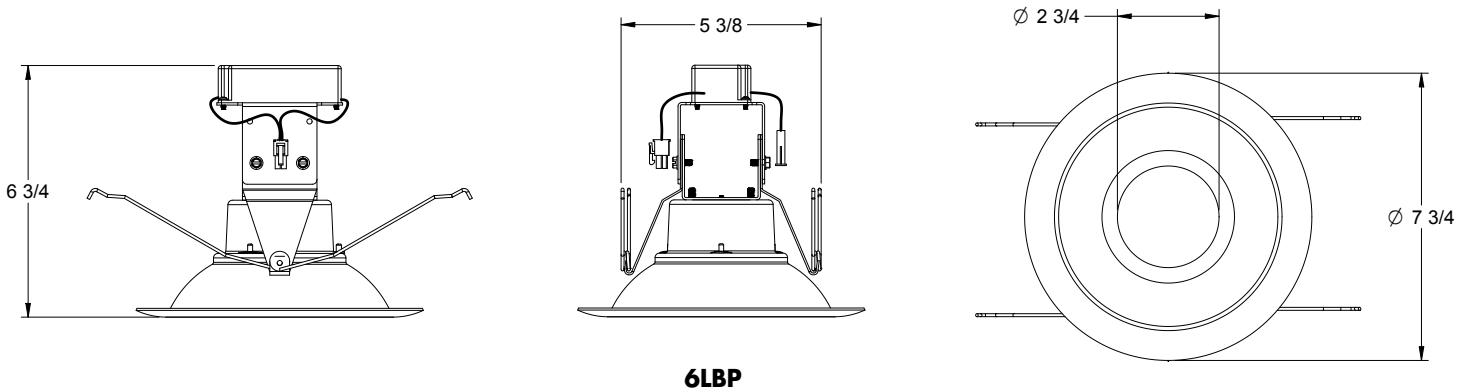
Web: www.prescolite.com • Tech Support: (888) 777-4832
701 Millennium Boulevard • Greenville, SC 29607 U.S.A. • Phone (864) 678-1000
Copyright ©2016 Prescolite, Inc., a division of Hubbell Lighting, Inc. All Rights Reserved
Specifications subject to change without notice. • Printed in U.S.A. • LBP-LED-001 • 9/29/16



HUBBELL
Lighting, Inc.

PHOTOMETRIC DATA

Litebox Plus LED - 6" LED Downlight and Wall Wash



6LBP

DIMMING NOTES:

LiteBox Plus LED modules are designed to be compatible with many dimmer controls. Incandescent type dimmers are not recommended. The following is a list of known compatible dimmer controls:

ELV DIMMERS

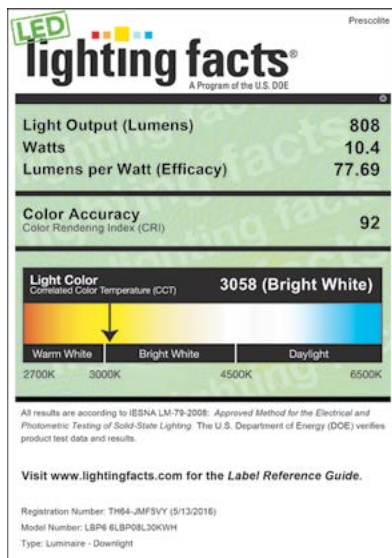
Manufacturer	Part Number
Lutron	Diva Series DVELV-300
Leviton	Renior II AWRMG-EAW

0-10V DIMMERS

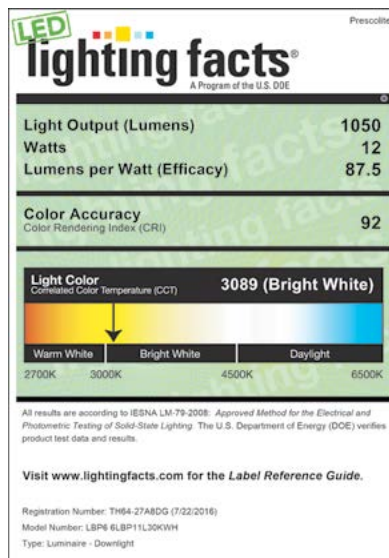
Manufacturer	Part Number
Lutron	NTFTV
Leviton	AWSMT-7
Wattstopper	ADF-120277

Dimming capabilities will vary depending on the dimmer control, load, and circuit installation. Always refer to dimmer manufacturer instructions or a controls specialist for specific requirements.

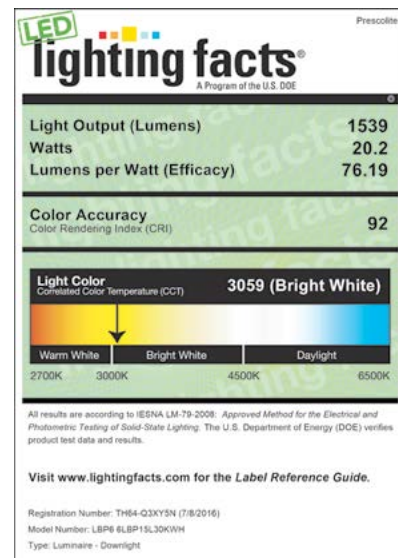
Dimmer control brand names where identified above are tradenames or registered trademarks of each respective company.



6LBP8L



6LBP11L



6LBP15L

